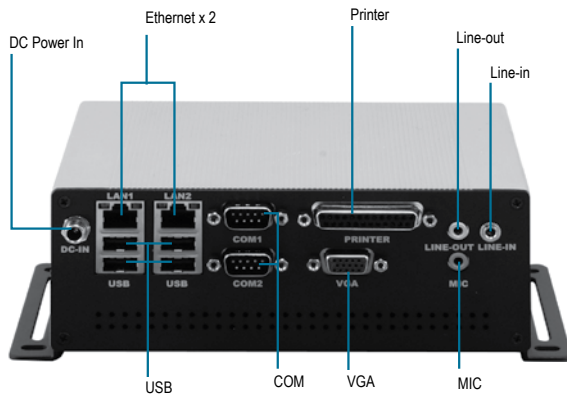
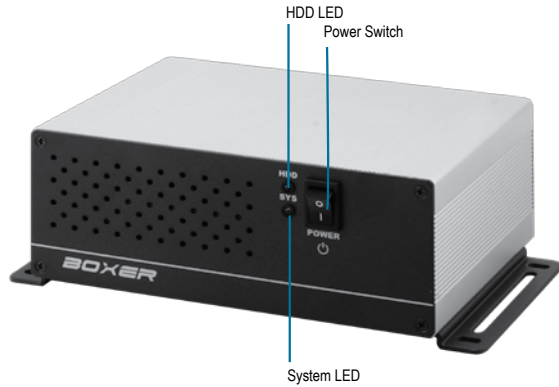


AEC-6410

Compact Embedded Controller With AMD Geode™ LX800 Processor

11

BOXER Lite Series - Fanless Embedded Controller Solutions



Features

- Fanless Operation
- Compact Design
- AMD Geode™ LX800 Processor
- Low Power Consumption
- PC/104 Expansion



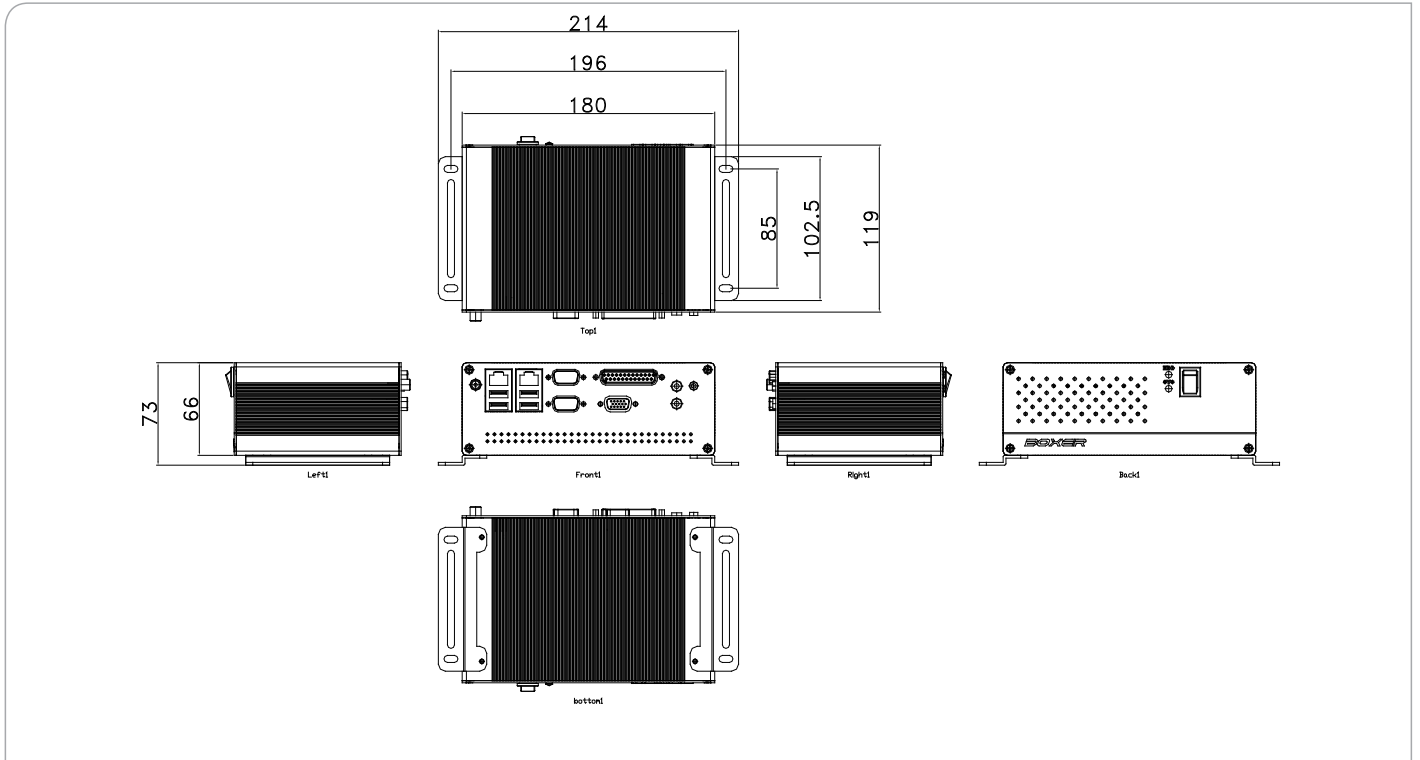
Specifications

CPU	AMD Geode™ LX800 500 MHz	
Chipset	AMD Geode™ LX	
System Memory	DDR RAM SODIMM x 1, Max. 512 MB	
Display Interface	VGA	DB-15 x 1, shared system memory up to 254MB
	DVI	—
	Others	—
Storage Device	SSD	—
	HDD	2.5" SATA/IDE Slim Hard Disk Drive bay x 1 (optional)
Network	LAN	Gigabit Ethernet, RJ-45 x 2
	Wireless	—
Front I/O	USB Host	—
	LAN	—
	Serial Port	—
	DIO	—
	Audio	—
	KB/MS	—
	Others	Power switch x 1
Rear I/O	USB Host	USB2.0 x 4
	LAN	RJ-45 x 2
	Serial Port	RS-232 x 1, RS-232/422/485 x 1
	DIO	—
	Audio	Line-in/Line-out/Mic-in x 1
	KB/MS	—
Others	VGA x 1, Power inlet x 1, Print Port x 1	
Expansion	PCIe [x1]	—
	PCI	—
	Mini Card	—
	Mini PCI	—
	Others	—
Indicator	Front	Power LED x 1, Hard Disk Drive LED x 1
	Rear	—
Power Requirement	DC Input 12V	
Power Consumption	AMD LX800, 0.86A@DC 12V	
System Cooling	Passive Cooling	
Mounting	Wallmount	
Operating Temperature	32°F ~ 104°F (0°C ~ 40°C) (LX800/CompactFlash™)	
Storage Temperature	14°F ~ 140°F (-10°C ~ 60°C)	
Anti-Vibration	5 g rms/ 5~500Hz/ Random Operation - CompactFlash™	
Anti-Shock	50 G Peak Acceleration (11 msec. Duration) - CompactFlash™	
MTBF	40,000	
Certification	EMC	CE /FCC Class A
	Safety	—
Dimension (W x H x D)	7.1" (W) x 2.6" (H) x 4.7" (D) (180mm x 66mm x 119mm)	
Gross Weight	6.16 lb (2.8 Kg)	
Note	Windows® XP Embedded, Windows® XP, Windows® CE Support	

AEC-6410

Dimension

Unit: mm



Ordering Information

- **TF-AEC-6410-A1-1010**
Embedded Controller, AMD Geode™ LX800 500 MHz, Fanless, DC 12V, 512 MB RAM

Optional Accessories

- **1757306004**
Power Adapter, AC 100/240V, DC 12V/5A Output, 60W, with Lock
- **1702031802**
Power Cord (US Type)
- **1702031803**
Power Cord (European Type)
- **170203180E**
Power Cord (Japanese Type)