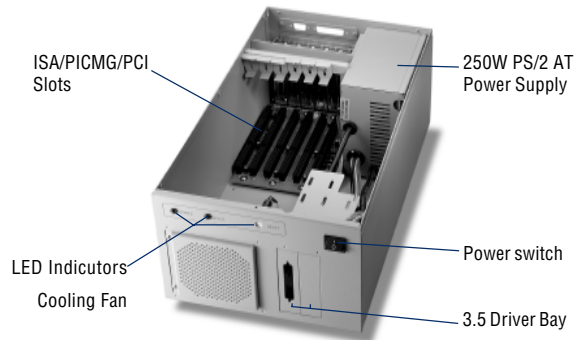


IEC-740

Full-Size 6-Slot Wallmount Chassis



- **Construction:** Heavy-duty steel chassis
- **Color:** Beige
- **Disk Drive Bay:**
 - 3.5 Drives: 2 (external)
- 1 x 8cm/49CFM cooling fan with replaceable air filter
- **Controls on Front Panel:** Power On/Off and System Reset
- **Indicators on Front Panel:** LED Indicators for Power On/Off and HDD activity
- **EMI:** FCC/ VDE Class A, CE
- **Supports 250W PS/2 AT Power Supply**
- **Operating Humidity:** 0~45°C (0~75°C non-operating)
- **Relative Humidity:** 10 to 95%, @25°C, non-condensing
- **Dimensions (W x H x D):** 170 x 240 x 402mm (6.7" x 9.4" x 15.8")
- **Net Weight:** 8 kg (17.6 lb)
- **Gross Weight:** 17.7 kg (39 lb)

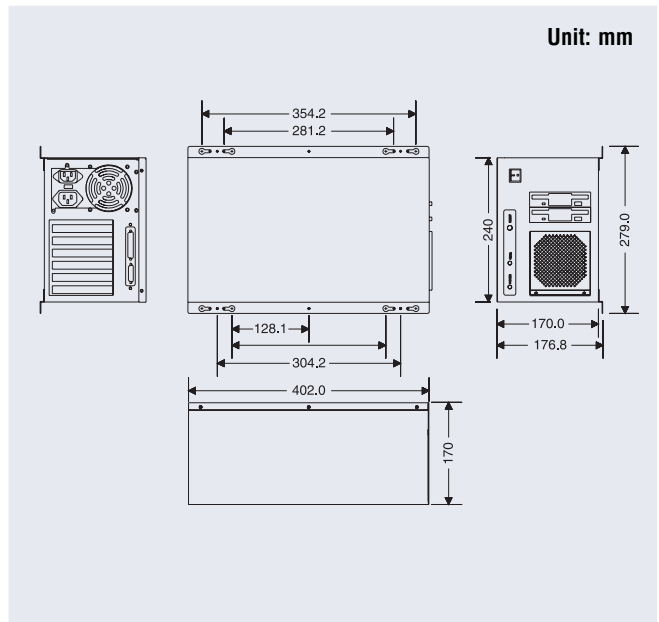
Backplanes

Model Name	System	Amount of Slots
PBI-6SA	Single	6-slot ISA
PBPI-6SA	Single	ISA / 2 PICMG/ 4 PCI

Power Supplies

Model Name	Watt	Input Range	Output Voltage	Mini-load
IPS-ZKS-250AE	250(AT)	95-130 VAC 180-260 VAC@ 47-63 Hz Switchable	+5 V@25A +12 V@10A -5V@0.5A -12V@0.5A	+5 V@1A +12 V@0.4A

Dimension Diagram



Ordering Information

IEC-740-S6A-AT250

Full-size 6-slot Wallmount Chassis with 6-slot ISA Passive Backplane, 250W PS2 AT Power Supply

IEC-740-C6A-AT250

Full-size 6-slot Wallmount Chassis with 1 ISA/2 PICMG/4 PCI Passive Backplane, 250W PS2 AT Power Supply